

POWER YOUR FUTURE

Weichai Generator  
LG160WP

WP10D200E200

Prime Power: 160KW/200KVA

Standby Power: 176KW/220KVA



## GENERATING POWER SOLUTIONS

### Increased availability for new operations

Reliable, robust and versatile generator.  
Ready to deliver power for a next job.

### Increased uptime during operations

Once installed on the end-user-site, the generator will be ready to run: "peace of mind" operation.

### Reduced transport and installation costs

The compact and robust design with integrated transport features enables faster and safer transport and installation.

### Reduced service & maintenance costs

Longer service intervals.  
Quicker and more efficient service jobs.

### Premium resale value

Designed and built to last.

### SAFETY

- Operate safely in accordance with proper operation manual.
- To prevent trouble and accidents, perform daily and preventive maintenance checks without fail.

WEICHAI Series

20KVA--600KVA



LONGKAI

FUAN LONGKAI POWER CO.,LTD.

Headquarters:

Add: Wei 5 Road, Tiehu Industrial Zone, Fuan, Fujian, China

Tel: +86-0593-6309773 Fax: +86-0593-6586988

E-mail: sales@longkaipower.com

Web: www.longkaipower.com

## Technical Data

Model		LG160WP
Rated prime power	kva	200
Rated standard power	kva	220
Rated voltage line to line	V	400/230
Rated current	A	289
Maximun sound level	dB(@7m)	96

## Engine-Weichai

Model		WP10D200E200
Aspiration	Turbocharged and aftercooled	
Fuel system	mechanical pump	
No. cylinders	6 in line	
Displacement	Liquid	9.7
Bore*Stroke	mm	126*130
Compression ratio	17:01	
Rated speed	r/min	1500
Rated net power(with fan)	Kw	182
Governor type	Electrical	
Start Motor	V	24

## Exhaust System

Exhaust gas flow	litre/sec	480
Exhaust gas temp	°C	510
Max back pressure	kPa	10

## Aspiration System

Max inlet pressure	kPa	≤3.5
Combustion volume	kPa	/
Air flow	litre/sec	955

## Fuel System

100% load(Prime power)	L/h	40.0
75% load(Prime power)	L/h	/
50% load(Prime power)	L/h	/
Fuel tank capacity	L	480

## Lubrication System

Oil capacity	L	24
Oil consumption	g/kwh	0.2
Oil pressure	kPa	330-550
(continuous operation)		

## Cooling System

Coolant capacity	L	22
Thermostat operation range	°C	71-82
Max water temperature	°C	98

## Alternator

Model	LONGKAI	LK274H
	STAMFORD	UCI274H
Phase	3	
Voltage	V	400/230
Wiring Type	3 Phase 4 wire, Y type	
Bearing	1	
Power factor	0.8	
Frequency	Hz	50
Prime power	KW	160
Exciter Type	Brushless, self-excitation	
Voltage regulation	%	±0.5
Protection Grade	IP 23	
Insulation grade	H/H	
Altitude	m	≤1000

## Controller-DEEPSEA

Model	DSE6120MK3
-------	------------

Protective functions:

- Low oil pressure
- High water temperature
- High/low voltage
- High Engine Temperature and Overspeed.
- Voltage regulator frequency regulator
- Emergency stop
- Start failure



## Control Module Options



- Auto generator control module
- Control module with "Three Remote Control" functions
- ATS auto load transfer screen
- Synchronising control modules
- Power output cabinet



### Standard Features

- Engine(WEICHAH GROUP)
- Radiator 50°C max,fans are driven by bel
- 24V charge alternator
- Alternator: single bearing alternator IP23, insulation class H/H
- Standard auto control system
- One set of air filter, fuel filter, oil filter
- Main line circuit breaker/MCCB
- Base fuel tank
- Two 24V batteries, rac and cable
- Exhaust system(Ripple flex exhaust pipe, exhaust siphon, flange, muffler)
- User manual

### Options

- Battery charge
- Engine heater
- Alternator heater
- PMG
- Water oil separator
- Daily fuel tank
- Remote control panel
- Automatic transfer switch/ATS
- Switch box
- Standard: ● Options:○

### Warranty\*

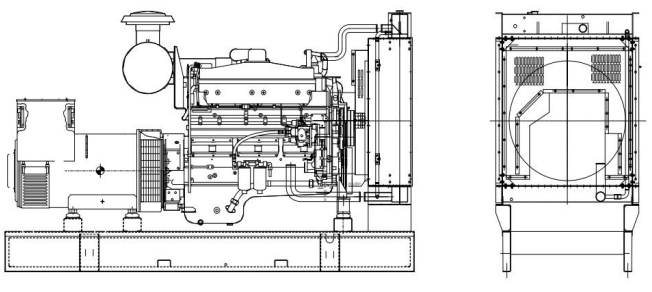
#### Weichai Engine

12 months from date of purchase and 1000 hours.

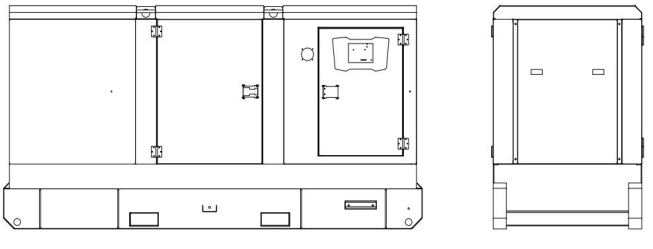
#### Generator

12 months from date of purchase or 1000 hours (whichever occurs first).

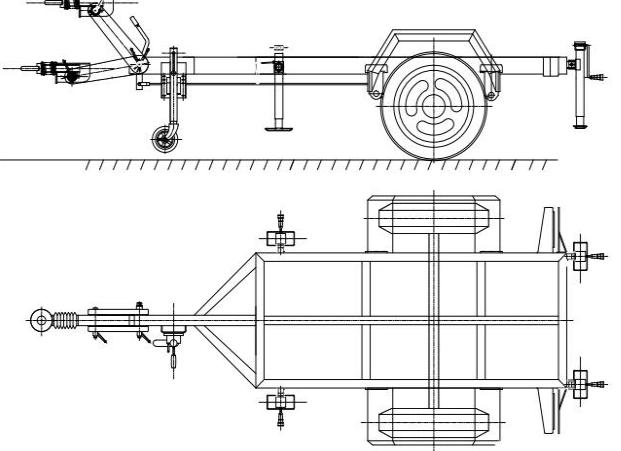
### Unit Dimensions(Basic unit)



Open Type		
L*W*H	mm	2850*1040*1580
Weight	kg	1850



Silent Type		
L*W*H	mm	3820*1280*1900
Weight	kg	2900



Trailer Option		
L*W*H	mm	4900*2100*950
Max loading Weight	kg	3300



Manufacturer reserves the right to make changes in model, technical specification, color, equipment and accessories without notice.