

POWER YOUR FUTURE

Cummins Generator

LG80C

6BT5.9-G2-86KW

Prime Power: 75KW/93.75KVA

Standby Power: 82.5KW/103.13KVA



GENERATING POWER SOLUTIONS

Increased availability for new operations

Reliable, robust and versatile generator.
Ready to deliver power for a next job.

Increased uptime during operations

Once installed on the end-user-site, the generator will be ready to run: "peace of mind" operation.

Reduced transport and installation costs

The compact and robust design with integrated transport features enables faster and safer transport and installation.

Reduced service & maintenance costs

Longer service intervals.
Quicker and more efficient service jobs.

Premium resale value

Designed and built to last.

SAFETY

- Operate safely in accordance with proper operation manual.
- To prevent trouble and accidents, perform daily and preventive maintenance checks without fail.

Cummins Series

25KVA--2000KVA



FUAN LONGKAI POWER CO.,LTD.

Headquarters:

Add: Wei 5 Road, Tiehu Industrial Zone, Fuan, Fujian, China

Tel: +86-0593-6309773 Fax: +86-0593-6586988

E-mail: sales@longkaipower.com

Web: www.longkaipower.com

Technical Data

| Model | LG80C | |
|----------------------------|---------|---------|
| Rated prime power | kva | 93.75 |
| Rated standard power | kva | 103.13 |
| Rated voltage line to line | V | 400/230 |
| Rated current | A | 135.3 |
| Maximun sound level | dB(@7m) | 96 |

Engine-DCEC Cummins

| | | |
|---------------------------|----------------------------|---------|
| Model | 6BT5.9-G2-86KW | |
| Aspiration | Turbo | |
| Fuel system | Weifu A pump/RSV | |
| No. cylinders | 6 in line | |
| Displacement | Liquid | 5.9 |
| Bore*Stroke | mm | 102*120 |
| Compression ratio | 17.3: 1 | |
| Rated speed | r/min | 1500 |
| Rated net power(with fan) | Kw | 96 |
| Governor type | mechanical speed governors | |
| Start Motor | V | 24 |

Exhaust System

| | | |
|-------------------|-----------|-----|
| Exhaust gas flow | litre/sec | 250 |
| Exhaust gas temp | °C | 526 |
| Max back pressure | kPa | 10 |

Aspiration System

| | | |
|--------------------|-----------|-----|
| Max inlet pressure | kPa | / |
| Combustion volume | kPa | / |
| Air flow | litre/sec | 100 |

Fuel System

| | | |
|------------------------|-----|------|
| 100% load(Prime power) | L/h | 22.3 |
| 75% load(Prime power) | L/h | 16.9 |
| 50% load(Prime power) | L/h | 11.3 |
| Fuel tank capacity | L | 340 |

Lubrication System

| | | |
|------------------------|-------|---------|
| Oil capacity | L | 16.4 |
| Oil consumption | g/kwh | 0.5 |
| Oil pressure | kPa | 207-345 |
| (continuous operation) | | |

Cooling System

| | | |
|----------------------------|----|-------|
| Coolant capacity | L | 7.9 |
| Thermostat operation range | °C | 82-95 |
| Max water temperature | °C | 104 |

Alternator

| | | |
|--------------------|----------------------------|---------|
| Model | LONGKAI | LK274C |
| | STAMFORD | UCI274C |
| Phase | 3 | |
| Voltage | V | 400/230 |
| Wiring Type | 3 Phase 4 wire, Y type | |
| Bearing | 1 | |
| Power factor | 0.8 | |
| Frequency | Hz | 50 |
| Prime power | KW | 80 |
| Exciter Type | Brushless, self-excitation | |
| Voltage regulation | % | ±0.5 |
| Protection Grade | IP 23 | |
| Insulation grade | H/H | |
| Altitude | m | ≤1000 |

Controller-DEESEA

| | |
|-------|------------|
| Model | DSE6120MK3 |
|-------|------------|

Protective functions:

- Low oil pressure
- High water temperature
- High/low voltage
- High Engine Temperature and Overspeed.
- Voltage regulator frequency regulator
- Emergency stop
- Start failure



Control Module Options



- Auto generator control module
- Control module with "Three Remote Control" functions
- ATS auto load transfer screen
- Synchronising control modules
- Power output cabinet

Standard Features

- Engine(DCEC Cummins)
- Radiator 50°C max,fans are driven by bel
- 24V charge alternator
- Alternator: single bearing alternator IP23, insulation class H/H
- Standard auto control system
- One set of air filter, fuel filter, oil filter
- Main line circuit breaker/MCCB
- Base fuel tank
- Two 24V batteries, rac and cable
- Exhaust system(Ripple flex exhaust pipe, exhaust siphon, flange, muffler)
- User manual

Options

- Battery charge
- Engine heater
- Alternator heater
- PMG
- Water oil separator
- Daily fuel tank
- Remote control panel
- Automatic transfer switch/ATS
- Switch box
- Standard: ● Options:○

Warranty*

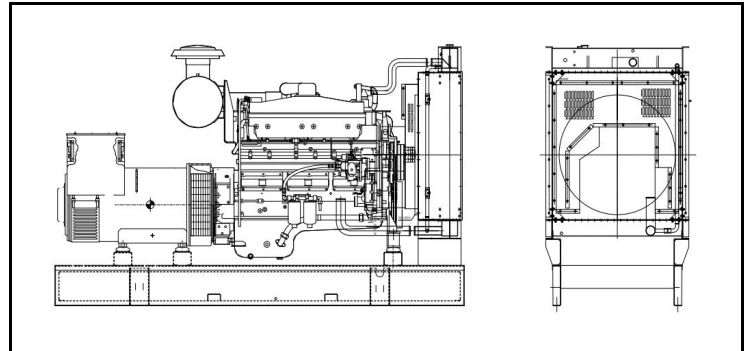
Cummins Engine

12 months from date of purchase and 1000 hours.

Generator

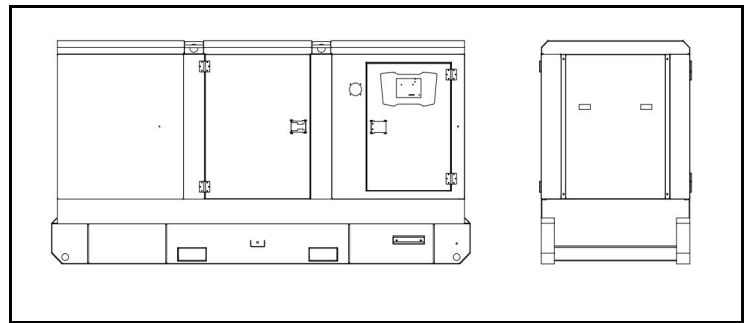
12 months from date of purchase or 1000 hours (whichever occurs first).

Unit Dimensions(Basic unit)



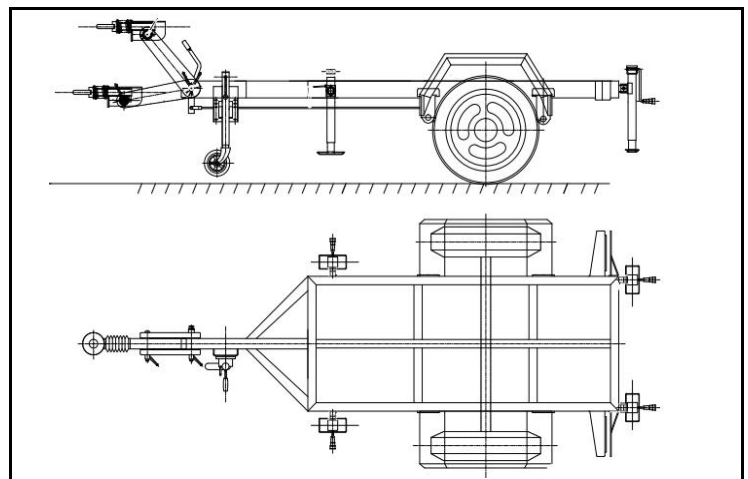
Open Type

| | | |
|--------|----|---------------|
| L*W*H | mm | 2200*900*1350 |
| Weight | kg | 1150 |



Silent Type

| | | |
|--------|----|----------------|
| L*W*H | mm | 2930*1080*1650 |
| Weight | kg | 1700 |



Trailer Option

| | | |
|--------------------|----|---------------|
| L*W*H | mm | 4300*1900*950 |
| Max loading weight | kg | 1700 |